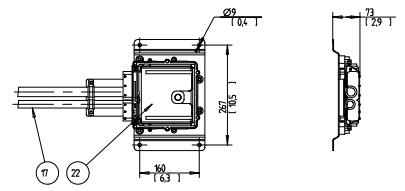
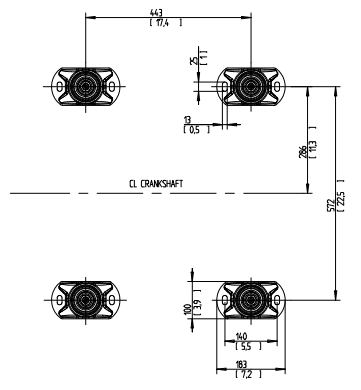
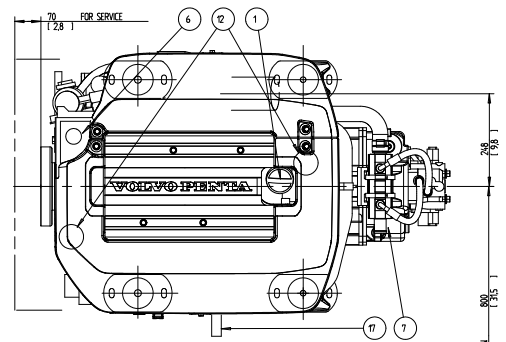
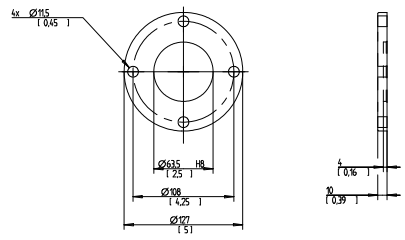


ECU UNIT



VIEW A
12



- 1 OIL FILLER CAP, ENGINE
- 2 OIL DIP STICK, ENGINE
- 3 OIL DRAIN (WITH PUMP), ENGINE
- 4 OIL FILTER
- 5 WATER DRAIN, FRESH WATER
- 6 WATER FILLER CAP, FRESH WATER
- 7 WATER INLET, SEAWATER (Ø32, 125°)
- 8 WATER DRAIN CHARGE AIR COOLER, SEA WATER
- 9 WATER DRAIN HEAT EXCHANGER, SEAWATER
- 10 FUEL FILTER
- 11 AIR FILTER
- 12 LIFTING DEVICE 2x Ø21, 083"
- 13 AUTOMATIC FUSE, VOLTAGE CONVERTER
- 14 EXHAUST ELBOW FOR HOSE ID. 89, 135I
- 15 AUX. STOP
- 16 FUSE, FUEL FEED PUMP
- 17 ECU CABLE HARNESS L-15M (5 FEET)
- 18 CCV FILTER
- 19 FUEL INLET CONNECTION FOR HOSE ID. 95 (3.8")
- 20 FUEL RETURN CONNECTION FOR HOSE ID. 95 (3.8")
- 21 ECU UNIT (BLU/HEAD MOUNTED)
- 22 OIL COOLER REVERSE GEAR

SCALE 1:5

<p>INSTALLATION DRAWING 03-H545</p>	<p>SYMBOLS, DIMENSIONS AND OTHER DATA SHOWN ARE FOR GENERAL REFERENCE ONLY</p>
	<p>INSTALLATION DRAWING 03-H545</p>
<p>VOLVO PENTA</p>	
<p>21687603</p>	<p>1111</p>